



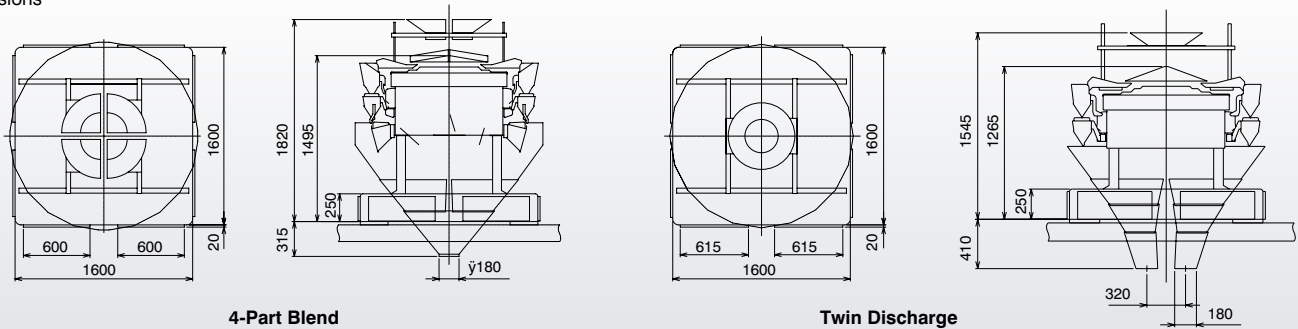
CCW-RV-220W-1D-20/30-SS/WP
CCW-RV-220W-2D-50/70-SS/WP
CCW-RV-220B-4S-20/30-SS/WP

Fast, accurate weighing for mixing or multiple outlet applications

Incorporating all the latest RV technology, these models deliver high speed, precise weighing while reducing giveaway and routinely achieves 140 wpm for double outlets.

For more free flowing products, the addition of booster hoppers delivers exceptional mixing speed and accuracy - for example 4-mix versions deliver 60 wpm per section with many different mixing settings to match our customers exact requirements.

Dimensions



Specifications	CCW-RV-220W-1D/20		CCW-RV-220W-1D/30		CCW-RV-220B-4S/20		CCW-RV-220B-4S/30		CCW-RV-220W-2D/50	
Weighing Capacity (per head)	400g	800g	400g	800g	400g	800g	400g	800g	2,000g	4,000g
Max. Vol. for Weighing (per single dump)	3 litres		4.5 litres		3 litres		4.5 litres		7500cc (per side)	
Weighing Speed (Max)*	140 WPM (70+70)		140 WPM (70+70)		60 WPM (4 mix)		60 WPM (4 mix)		55 WPM (per side)	
Minimum Graduation	0.1g	0.2g	0.1g	0.2g	0.1g	0.2g	0.1g	0.2g	0.5g	1.0g
Touch Screen Display (RCU)	12.1" TFT Colour LCD Display									
Weigh Cell	Double-beam strain gauge loadcell									
Number of Presets	200									
Material	Product surfaces are made of stainless steel or other sanitary materials									
Machine Weight	1.000kg		1.000kg		1.100kg		1.100kg		2.000kg	
Options	Various options are available - Please contact Ishida distributors									
IP test rating of structure	SS: IP54 Rating WP: IP69k Rating (see specific cleaning instructions in operators manual)									
Air Consumption (Waterproof models)	110 litres/min (ANR) 0.5 Mpa Air hose - PT 3/8" (for air dryer connection) <small>Note: Air hose compressor must be provided by the end user</small>									
Power Consumption	200-240V 0.9 - 1.3kW 50/60Hz									

Design and specifications are subject to change without notice. *Depends on product shape, product density, target weight and target speeds.



RV-Series features and benefits

RV mixed and multiple outlet weighers are used extensively delivering many benefits to our Ishida customers. Whether its to reduce factory space, to increase the value of packaged products, meet accurate stated % of component mixes, increase profits due to reduced giveaway, increase speed, efficiency and reduce product damage (compared to pre-mixing), all these benefits are realised when using an Ishida weigher.

Even faster and more accurate than before

Through the combination of software and hardware enhancements, the RV series is faster than ever before. More effective feeder vibration optimises product distribution and speeds up weigh-head stabilisation, bringing greater speed and accuracy. Faster filtering reduces settling time and readies more heads for inclusion in the calculation, while improved hopper opening and closing cycles reduce the time taken for product transfer.

Tougher in the wet, with cleaning downtime reduced

With an independently certified IP69K rating, the RV waterproof model is proven to be more water resistant than ever before. Newly designed fluorine diaphragms, silicon or EPDM (ethylene propylene diene monomer) rubber gaskets combine with new machine fixing patterns to achieve this. The main body has been designed with a 9° slope and 6° slope on the radial feeder cover, so that fast washing is followed by rapid draining and drying.

Reduced power consumption

On full power, RV weighers use 20% less power than recent models. There are also half power and 'eco' modes, the latter offering a 50% saving by comparison with full power. Eco mode works well with free-flowing products and is the default when speed is not prioritised.

Improved interaction, locally and at-a-distance

Ishida's new autsetting feature makes setting up for a new product much simpler, while the ability to control the weigher from laptops and hand-held devices increases operator freedom. With secure, firewalled access possible from any part of the world, production information becomes more accessible and useful to your organisation, and you now have the option of remote support, including diagnostics from Ishida. A wide-angle camera for the top of the weigher and an additional RCU are also available as an option.

Now compliant with even stricter industry standards

All materials, including those used to increase design robustness under harsh cleaning routines, are FDA-approved and comply with Article 16 (1) of Regulation (EC) No 1935/2004, ad Article 15 of Regulation 10/2011.

To fully meet the EU's Restriction of Hazardous Substances Directive (RoHS) non-hazardous materials have been used for all circuit boards, parts, materials and finishes.



Faster opening and closing of hoppers



IP69K certified for fast washdown



Enhanced operator interface options including hand held tablet control



Sloping weigher body speeds up drying (Waterproof specification only)

ISHIDA EUROPE LIMITED

Kettles Wood Drive
Woodgate Business Park
Birmingham
B32 3DB
United Kingdom
Tel: +44 (0)121 607 7700
Fax: +44 (0)121 607 7888
info@ishidaeurope.com

ISHIDA CZECH REPUBLIC

Tel: +420 317 844 059
Fax: +420 317 844 052
info@ishidaeurope.cz

ISHIDA ROMANIA

Tel: +40 (0)21 589 73 52
Fax: +40 (0)21 310 34 22
info@ishidaeurope.ro

ISHIDA FRANCE

Tel: +33 (0)1 48 63 83 83
Fax: +33 (0)1 48 63 24 29
info@ishidaeurope.fr

ISHIDA RUSSIA AND CIS

Tel: +7 499 272 05 36
Fax: +7 499 272 05 37
info@ishidaeurope.ru

ISHIDA GERMANY

Tel: +49 (0)791 945 160
Fax: +49 (0)791 945 1699
info@ishida.de

ISHIDA SOUTH AFRICA

Tel: +27 (0)11 976 2010
Fax: +27 (0)11 976 2012
info@ishidaeurope.com

ISHIDA MIDDLE EAST

Tel: +971 (0)4 299 1933
Fax: +971 (0)4 299 1955
ishida@ishida.ae

ISHIDA SWITZERLAND

Tel: +41 (0)41 799 7999
Fax: +41 (0)41 790 3927
info@ishida.ch

ISHIDA NETHERLANDS

Tel: +31 (0)499 39 3675
Fax: +31 (0)499 39 1887
info@ishida.nl