



IX-G2-2427/4027

Ishida's second generation X-ray inspection system achieves superior performance

Ishida's G2 offers; superior brand protection and quality control; our state of the art energy analysis offers supreme detection sensitivity. The advanced G2 performs to the highest accuracy, efficiency and reliability to deliver a sustainable return on investment. Ishida is a well respected leading edge X-Ray Manufacturer with well over a century of food industry experience resulting in a very large global installed product base.

Detecting the full range of contaminants

The G2 technology enables higher detection rates for calcified bones, stones, shells and of course metals, glass, and dense plastics like rubber, improving the accuracy with which contaminants can be found, especially soft contaminates where the products can overlap.

Simple operation, low maintenance

Operation, via a 17" colour touchscreen, is extremely intuitive resulting in easy to learn and use, saving time in training and day to day operation. Settings can be automatically optimised and routine recalibration is not required, removing the need to stop the machine reducing production downtime. The system is designed to speed up product changeovers by facilitating rapid tool less cleaning, while the sealed construction of its vital parts resists dust and moisture, ensuring long-term accuracy, reliability and reducing operational costs.

Quality Control

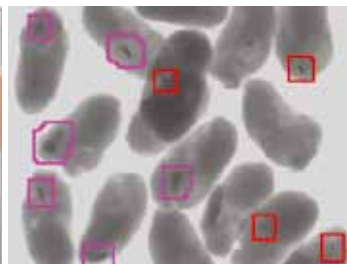
Simultaneously check for fill level, missing items, damaged products, weight estimation and package integrity to protect your brand reputation and increase customer satisfaction.

Linking seamlessly into your data systems

The IX-G2 system provides you with secure data integrity as all records can be easily retrieved. Peace of mind is also important particularly with regard to the storage of data, operational logs and images all of which are automatically stored with a date/ time stamp making the auditing process easier. All data can be saved and is accessible using standard PC applications. The system has an Ethernet option for integration into your enterprise wide quality and traceability systems.

Not just another machine

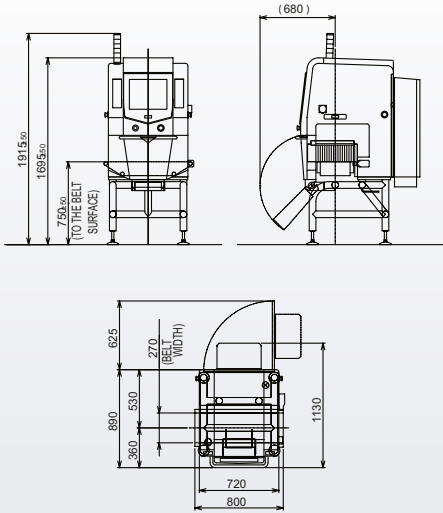
120 years of supplying weighing and quality control equipment within an ever changing global market demonstrates Ishida's continuous approach to innovation and our ongoing commitment in providing our customers with industry leading product solutions. Ishida also brings a wealth of experience, global service support network, training and a customer focussed approach. You are not just buying a machine for your application you are buying an Ishida machine, a machine you can rely upon from a company that you can rely upon for now and in the future.



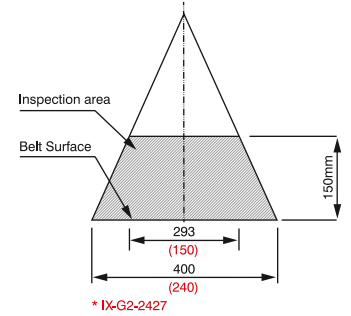
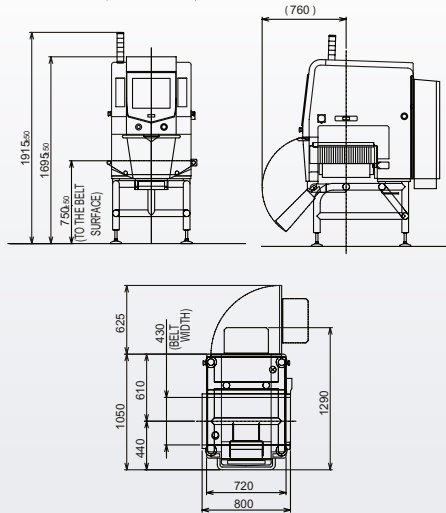
IX-G2 Dimensions and Specifications



Dimensions - IX-G2-2427



Dimensions - IX-G2-4027



Inspection area

The figures show the permissible inspection range. Portions of the product which are not within the shaded area are not irradiated.

Height*	Width	
	IX-G2-2427	IX-G2-4027
0mm	240mm	400mm
10mm	234mm	392mm
20mm	228mm	385mm
30mm	222mm	378mm
40mm	216mm	371mm
50mm	210mm	364mm
60mm	204mm	357mm
70mm	198mm	350mm
80mm	192mm	343mm
90mm	186mm	336mm
100mm	180mm	329mm
110mm	174mm	322mm
120mm	168mm	315mm
130mm	162mm	307mm
140mm	156mm	300mm
150mm	150mm	293mm

*The inspection widths against the height are approximate values.

Item	Specification	
Model	IX-G2-2427	IX-G2-4027
Inspection range	Length	20 to 450mm (snap mode) Interval between inspection objects: 30mm
	Width	240mm / 400mm
	Height	Max. 150mm
Inspection conveyor dimension	Length	800mm (Option to increase)
	Width	270mm / 430mm
	Height	Height to belt 900mm (+/-50mm)
Transfer speed	10 to 60 m/min	
Transfer weight	Max. 5kg (Standard)	
X-ray output	Max. 350W / 100 kV / 5mA	
Operating section	17" TFT LCD Touch screen Windows-XP OS	
Number of items that can be preset	100 items (expandable)	
Machine outside dimension	800mm (L) x 1130mm (D) x 2170mm (H)	800mm (L) x 1290mm (D) x 2170mm (H)
Machine weight	360kg (excluding option)	400kg (excluding option)
Machine material & finish	Stainless Steel (SUS304) in bead blast finish	
Machine protective construction	IP66 (conveyor room) IP65 (outside conveyor room)	
Cooling method	Hermetical Air Cooling	
X-ray protection	Protective Tungsten curtain (rapidly detachable)	
X-ray leakage radiation dose	1uSv/h or less (including conveyor transfer entrance/exit)	
Power supply	Single phase AC200-240V, 50/60 Hz, +/- 10%	
Operation environment	Temperature: 0 to 35 degree (no rapid temeperture change) Humidity: 30 to 85%RH (without condensation)	

The specification described here is that for a single unit of equipment.

ISHIDA EUROPE LIMITED

Kettles Wood Drive
Woodgate Business Park
Birmingham
B32 3DB
United Kingdom
Tel: +44 (0)121 607 7700
Fax: +44 (0)121 607 7888
info@ishidaeurope.com

ISHIDA CZECH REPUBLIC

Tel: +420 317 844 059
Fax: +420 317 844 052
info@ishidaeurope.cz

ISHIDA ROMANIA

Tel: +40 (0)21 589 73 52
Fax: +40 (0)21 310 34 22
info@ishidaeurope.ro

ISHIDA FRANCE

Tel: +33 (0)1 48 63 83 83
Fax: +33 (0)1 48 63 24 29
info@ishidaeurope.fr

ISHIDA RUSSIA AND CIS

Tel: +7 499 272 05 36
Fax: +7 499 272 05 37
info@ishidaeurope.ru

ISHIDA GERMANY

Tel: +49 (0)791 945 160
Fax: +49 (0)791 945 1699
info@ishida.de

ISHIDA SOUTH AFRICA

Tel: +27 (0)11 976 2010
Fax: +27 (0)11 976 2012
info@ishidaeurope.com

ISHIDA MIDDLE EAST

Tel: +971 (0)4 299 1933
Fax: +971 (0)4 299 1955
ishida@ishida.ae

ISHIDA SWITZERLAND

Tel: +41 (0)41 799 7999
Fax: +41 (0)41 790 3927
info@ishida.ch

ISHIDA NETHERLANDS

Tel: +31 (0)499 39 3675
Fax: +31 (0)499 39 1887
info@ishida.nl